

OUTLAND
LIVING™
VERTICAL GARDEN

**Owner's
Manual**

OUTDOOR LIVING PERFECTED™



Model number XeVG-5BIN
Series number 310



FMI BRANDS INC.
309-19133 26th Avenue | Surrey, B.C. Canada V3Z 3V7 | Toll Free 1-888-514-1663 | Fax 1-888-797-9931

D.XeVG-310.000.V0



Model number XeVG-5BIN, Series number 310

 **CAUTION:**

Watch for sharp edges.
Wear protective gloves if necessary.

 **WARNING:**

Improper installation, adjustment, alteration, service or maintenance can cause injury or property damage. Read the installation, operating and maintenance instructions thoroughly before installing or servicing this equipment.

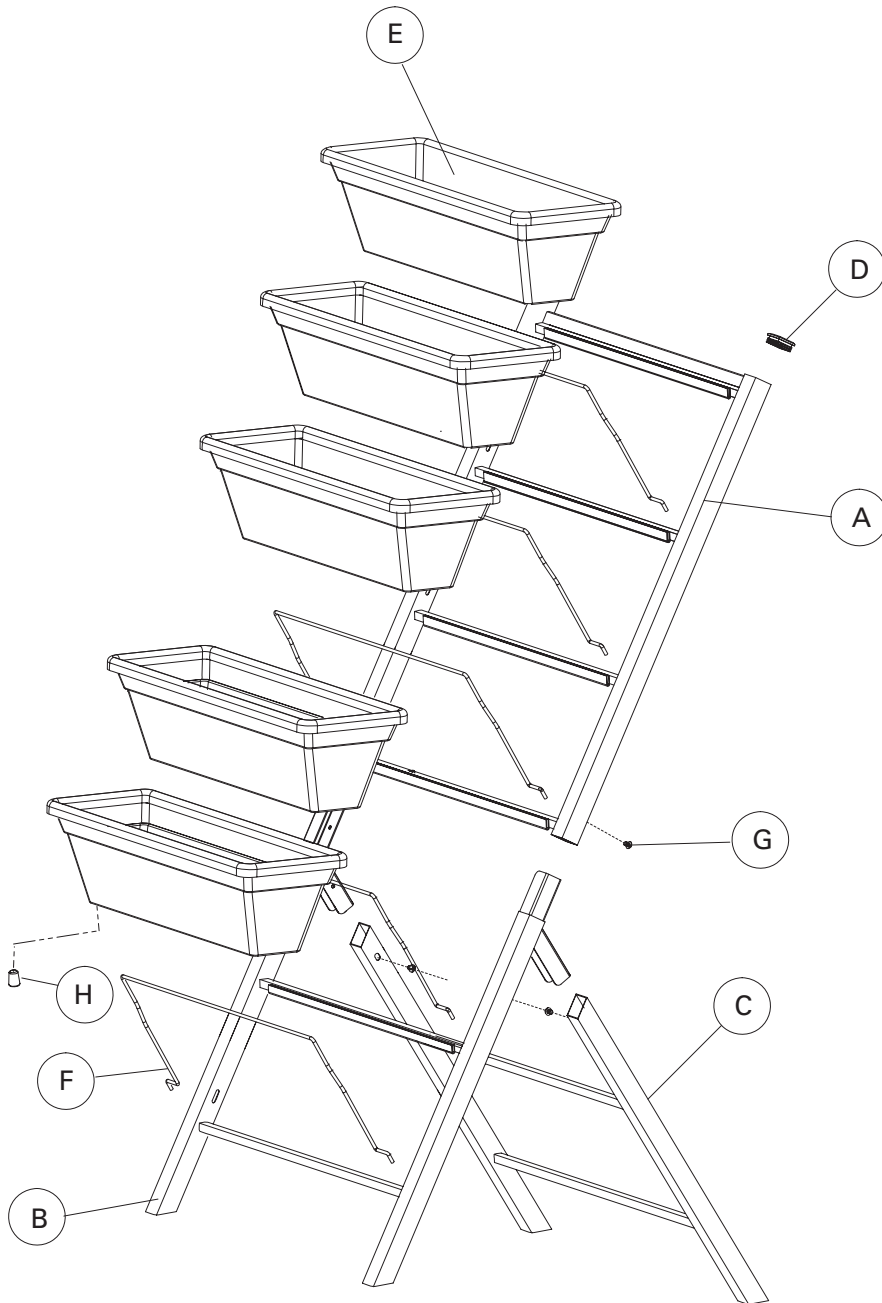
NOTE TO INSTALLER:

Leave this guide with the consumer.

NOTE TO CONSUMER:

Please retain this guide for future use.

SUPPLIED PARTS & HARDWARE LIST:

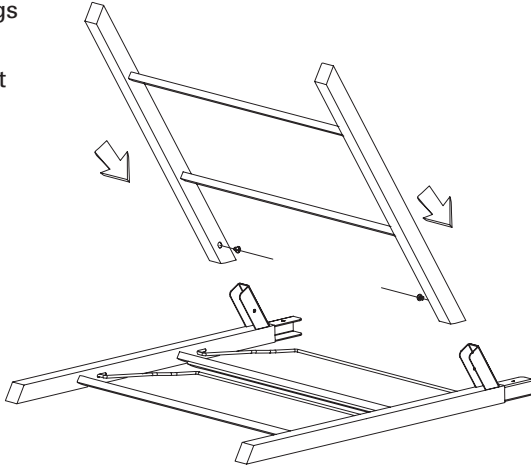


ITEM	DESCRIPTION
A	TOP FRAME (x1)
B	BOTTOM FRAME (x1)
C	REAR LEGS (x1)
D	TOP END CAP (x2)
E	PLANTER BINS (x5)
F	BIN HANGERS (x5)
G	M6 SCREWS (x4)
H	DRAIN PLUG (x1)

SECTION 1: ASSEMBLY

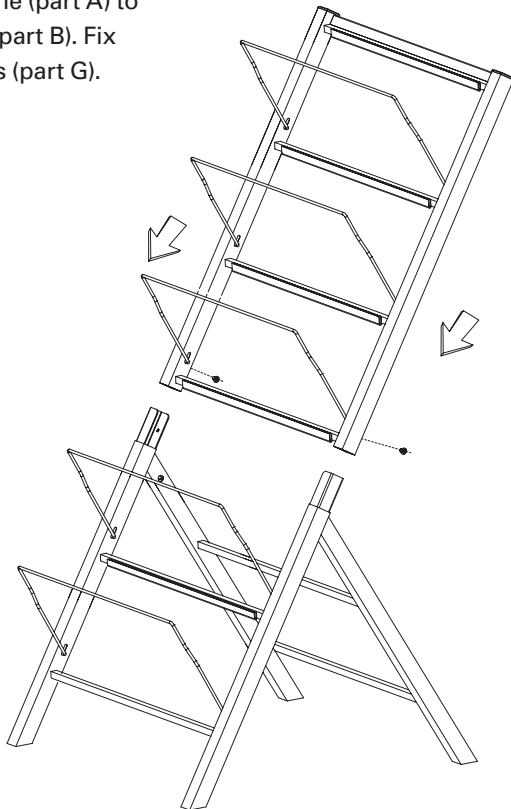
STEP 1

Mount the Rear Legs (part C) onto the Bottom Frame (part B). Fix with (2x) M6 screws (part G).



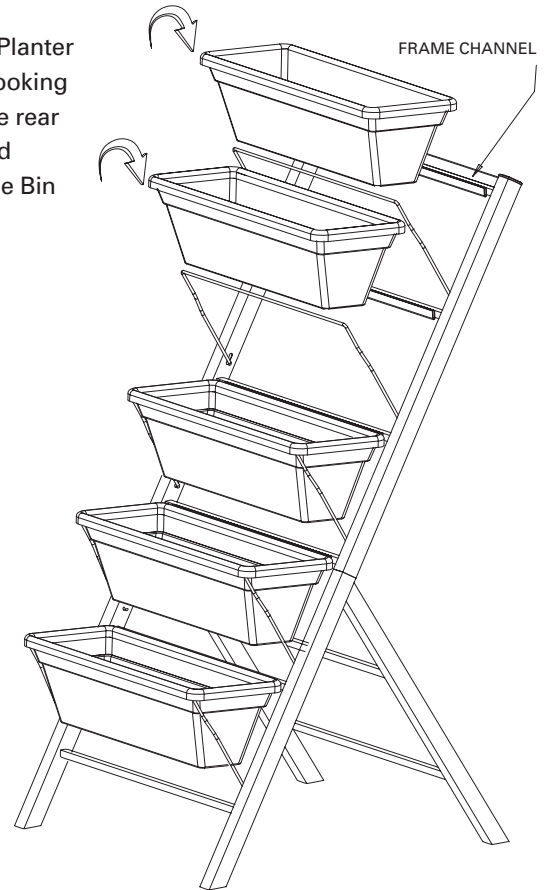
STEP 2

Mount the Top Frame (part A) to the Bottom Frame (part B). Fix with (2x) M6 screws (part G).



STEP 3

Install the plastic Planter Bins (part E) by hooking the lip edge on the rear frame channel and placing bins on the Bin Hangers (part F).



STEP 4

Add your preferred volume of Potting Soil Mix. (Soil not included). Plan your budget for 14L (12.5 Quarts) of soil mix per bin and/or adjust the volume of soil to suit your need.

SOIL BUDGET ASSUMPTION:

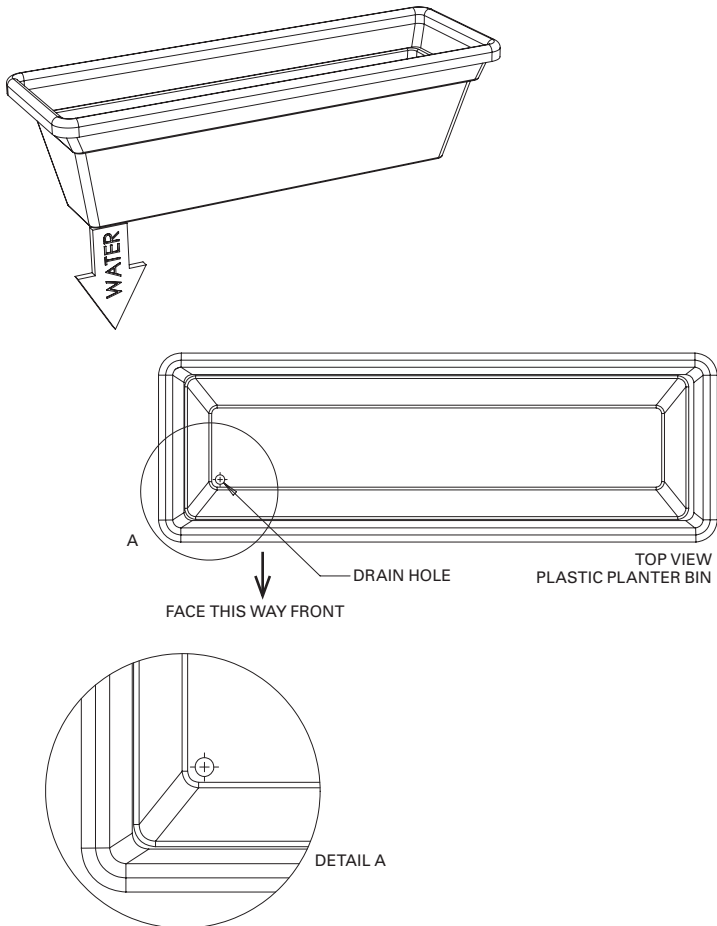
Each planter bin is 595mmLx200mmWx160mmH (23.4"Lx7.9"Wx6.3"H)

SOIL BUDGET/1 BIN	SOIL BUDGET/5 BINS
0.5 cubic foot (ft ³)	2.5 cubic feet (ft ³)
.02 cubic yard (yd ³)	.09 cubic yard (yd ³)
12.5 Imperial Quart (qt)	62.3 Imperial Quarts (qt)
14 Litres (L)	70 Litres (L)

SECTION 1: ASSEMBLY (continued)

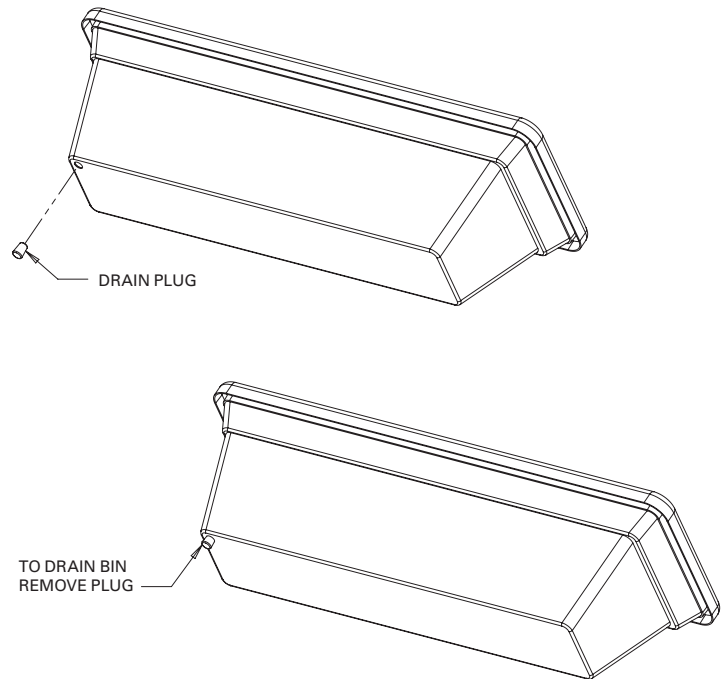
IMPORTANT: FACE THIS WAY FRONT.

Note the pre-drilled drainage hole location in each plastic planter bin. Ensure the drain holes are placed front facing on the hangers so water drains into each bin below, in a cascading fashion, as shown in the illustration. Otherwise, water drainage will occur on the ground (or floor) below.



Gardening Indoors or on a Patio Deck? Install the supplied Drain Plug (part H).

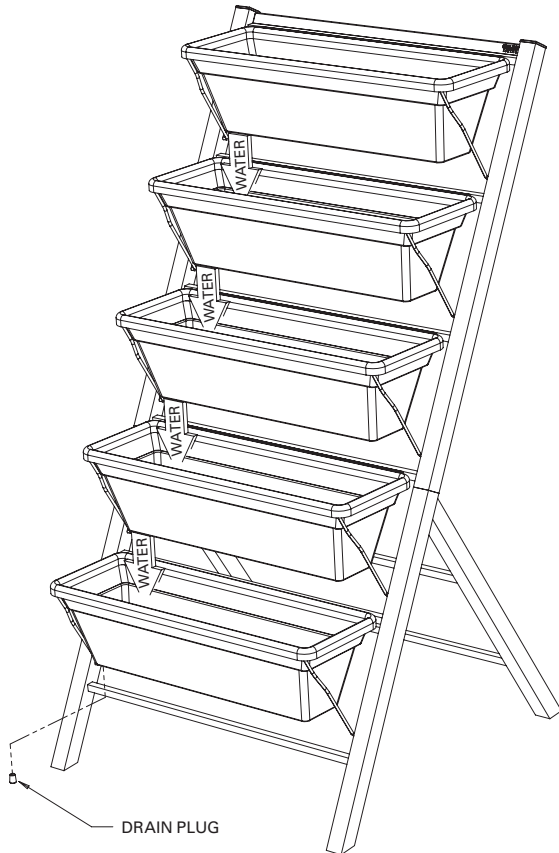
- a. Using the drain plug in the lowest bottom bin prevents water drainage and allows you to garden indoors, or on your patio deck, with your OUTLAND Vertical Garden.



- b. Fit the drain plug up into the bottom bin drain hole from underneath. See DRAWING DETAIL. Fitting it up from underneath allows you to remove it, in the future, should you desire to manually drain the bottom planter bin.
- c. Removing the drain plug allows excess water to drain out of the lowest plastic planter bin. When indoor, or patio gardening, place a tray under the bottom bin before removing the drain plug.

SECTION 1: ASSEMBLY (continued)

Outdoor Gardening? No need to install the drain plug. Gardening without the drain plug allows excess rain water to flow through the bins to the ground below.



DRAIN PLUG

CASCADING DRAINAGE

Your OUTLAND Vertical Garden is ready to use indoors or outdoors.



IMPORTANT

- Always ensure Vertical Garden stands straight and level.

IMPORTANT

- Always ensure all fasteners are firmly tightened.

SET UP INSPECTION SEQUENCE:

The Vertical Garden should be inspected before use and at least annually. More frequent cleaning and/or adjustments may be required as necessary.

Prior to each use:

- Ensure placement is on a level and firm surface able to hold the fully loaded weight of the frame, which is approximately 30-40Kg (65-90lb)
- Ensure no parts are missing and all fasteners are firmly tightened.

SECTION 2: MAINTENANCE

Your Outland Vertical Garden is meant for indoor or outdoor use and requires periodic maintenance to keep it in good condition.

- Should any part of this appliance become soiled or dirty, wipe down with a damp wet cloth. Use only water based cleaners.
- Check fasteners and ensure firmly tightened.
- Should you experience water dripping from the drainage holes in ways which are obviously unintended, or detrimental to your home, we recommend the following trouble shooting:
 - i. confirm the vertical garden is sitting level
 - ii. confirm each bin is sitting level on the bin hanger
 - iii. confirm each drainage hole is positioned above the bin below
 - iv. confirm your lovely plants aren't redirecting flow
 - v. confirm the drain plug stopper is securely installed in the lowest bottom bin drainage hole
 - vi. If you've exhausted the above and pesky water seepage is still finding its way (because we all know it sometimes does!), we recommend to find a small piece of hose or tubing to fit snugly inside the problematic drainage hole(s). Align the tubing so the flow of dripping water actually falls where you want it to fall.

IMPORTANT

Do not use petroleum based, flammable or corrosive cleaning products on or near this unit.

This appliance is NOT a toy.

WARNING:

Do not climb on the Vertical Garden or use it as a ladder or serious injury, property damage and/or death may occur.

SECTION 3: STORAGE

Your Vertical Garden has been designed to conveniently store away when not in use.

We recommend to store your Vertical Garden under cover during winter, or when not in use.

Follow these instructions to ready for storage:

- 1 Remove plastic Planter Bins from frame.
- 2 Remove Rear Legs.
- 3 Store conveniently. See you next season.

NOTES:

- The Vertical Garden measures approximately 49" High and stands in a compact footprint of 26" Wide x 29" Deep. (1242mmHx664Wx733mmD).
- The planter bins are 6.3" (160mm) Deep.

THIS LIST OF RECOMMENDED CROPS FOR YOUR VERTICAL GARDEN IS BY NO MEANS COMPLETE, BUT SHOULD HELP PROVIDE SOME IDEAS TO START YOUR GREEN THUMB:

- Lettuce (leaf varieties)
- Spinach
- Radish
- Baby Carrots
- Beets
- Onions (Green, Scallion)
- Asian Greens (Tatsoi, Pak Choy, Mizuna, Gai-lon)
- Herbs (Basil, Thyme, Tarragon, Rosemary, Oregano, Cilantro, Dill, Savory, Mint, Sage, Chives, Bay, Parsley, Coriander, Sorrel, Lemongrass)

HERE IS A LIST OF ANNUALS FLOWERS WHICH YOU MAY LIKE TO TRY IN YOUR VERTICAL GARDEN:

- Alyssum
- Begonia
- Browallia
- Coleus
- Geraniums
- Impatiens
- Latana
- Lobelia
- Marigolds
- Periwinkle
- Nasturtiums
- Pansies
- Petunias
- Salvia
- Sanvitalia
- Snapdragons
- Thunbergia
- Zinnias

- Note that plants grown in containers typically need to be watered more frequently than plants grown in the ground. We recommend to monitor your soil moisture and water regularly.
- For best results, consult your local nursery for gardening tips when purchasing your garden materials.

● STOP:

Do not return this product to the store.

If you need help or parts, call the OUTLAND Hotline: **1-888-514-1663**

Get help for:

Missing/damaged parts • Assembly • Troubleshooting • Warranty Assistance • Product Information

1 YEAR LIMITED WARRANTY Customers in Canada and USA

All components are warranted by the manufacturer for a period of 1 year after date of purchase by the original owner against defects in materials and workmanship under normal use. This warranty does NOT cover normal wear and weathering, assembly and/or maintenance OR use in a commercial application. At FMI Brands' sole discretion, products under warranty will be repaired and/or replaced at no charge to the customer. Any returns sent back to FMI Brands must be sent via prepaid freight and in the original retail packaging.

Please register your OUTLAND Living product for proof of purchase and warranty at

<http://outlandliving.com/register-products/>

For more warranty information and details please contact FMI Brands Inc. at info@outlandliving.com

**FOR REPLACEMENT PARTS AND ACCESSORIES PLEASE VISIT
WWW.OUTLANDLIVING.COM**

The owner's manual is available as a free download from www.outlandliving.com

Replacement part orders can be sent by mail to the address on the cover of this booklet, or faxed to (888) 797-9931. Should you have any questions or comments regarding this product, please do not hesitate to contact FMI Brands Inc. at (888) 514-1663 or E-Mail to info@outlandliving.com.