



# OAKRIDGE WOOD FIRE PIT

by OUTLAND LIVING

# Owner's Manual

## TABLE OF CONTENTS

Warnings | Parts List | Assembly | Operating Instructions | Cleaning and Care | Storage | Warranty



## IMPORTANT NOTICE

In the event of a defect please do NOT return to place of purchase. Contact our customer service department.

Toll Free: 1-888-514-1663

Email: [sales@fmibrands.com](mailto:sales@fmibrands.com)

Hours: Mon – Fri, 8am – 4pm, PST

Model number 610



FMI BRANDS INC.

309-19133 26th Avenue | Surrey, B.C. Canada V3Z 3V7 | Toll Free 1-888-514-1663 | Fax 1-888-797-9931

D.610.000.V1



**WARNINGS:** Save this owner's manual for future reference.

1. Do not operate this fire pit without reading and understanding the instruction within this manual. **Death, serious injury or property damage may occur if the warnings and instructions are not adhered to exactly.**
2. This fire pit is for outdoor use only. Do not use indoors or in a confined space.
3. Ensure fire pit is assembled according to the instructions prior to use.
4. Do not alter this fire pit or operate it as a partially constructed product.
5. Always use in accordance with all applicable regional, provincial, state, federal, national codes. Consult your local authority and/or fire department for current conditions such as burn ordinances or burn bans in your area. Check your local Home Owner's Association (HOA) for local regulations or restrictions such as community conditions, covenants and restrictions (CC&Rs) regarding the use of your property.
6. This fire pit should only be used with adult supervision and is not intended to be operated by children.
7. Inspect the fire pit for damage prior to every use. Do not operate your fire pit if any damage is detected.
8. Do not operate this fire pit under overhangs or near trees, shrubs or any other combustible material.
9. Do not operate this fire pit near any flammable liquids, vapors or compressed gas cylinders.
10. Do not use any accelerants such as gasoline, kerosene, alcohol or lighter fluid to start or refresh a fire.
11. Do not burn rubbish, painted or stained wood, plastics or styrofoam in the fire pit.
12. Do not wear flammable or loose clothing around the fire pit when lighting or when in operation.
13. Do not operate this fire pit in windy conditions.
14. Dry, seasoned hardwood burns best and creates less smoke. Softwoods such as Pine and Cedar throw sparks.
15. Ensure the fire screen is secured in place during operation. This will prevent sparks and burning embers from escaping. Always use the fire tool provided to remove the fire screen and/or place the fire screen in position.
16. Do not overload the fire pit. The amount of fuel (wood) should not exceed 70% of the total volume with the fire screen deployed. If any part of the fire pit is glowing red the fire pit is overloaded.
17. Do not touch any part of the fire pit while it is in operation. All surfaces should be considered a burn hazard while in use. To avoid burns ensure the fire pit has cooled completely prior to handling.
18. Always use the fire tool provided to adjust the fire pit while in operation and/or while cooling off.
19. Do not attempt to move, adjust or manipulate the fire pit while it is in use. The fire pit can only be moved or manipulated once it is extinguished and completely cooled.
20. Do not operate the fire pit on a combustible surface or a surface which is not heat resistant. It is recommended to place the fire pit on a non-flammable, heat resistant surface such as stones, concrete or pavers.
21. Do not leave an operating fire pit unattended especially in the vicinity of children and/or pets.
22. Empty the fire pit prior to every use. Do not dispose of ashes unless certain the fire pit has completely cooled.
23. The fire pit should be cleaned on a regular basis.
24. It is recommended that you keep an approved fire extinguisher and/or a 10 gallon bucket of water within easy reach in the event that you need to extinguish an uncontained fire.

## REQUIRED TOOLS (NOT SUPPLIED):


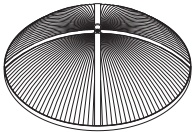
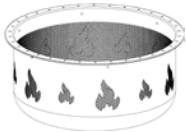
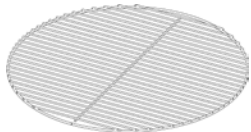

13mm Wrench (for M8 Hex Head)



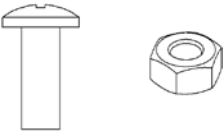
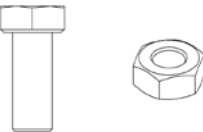
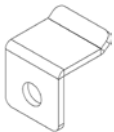


Philips Screw Driver



## SUPPLIED PARTS & HARDWARE LIST:

PART NUMBER	QUANTITY	DESCRIPTION	PICTURE
A	1	Fire Tool	
B	1	Fire Screen	
C	1	Fire Bowl	
D	1	BBQ Grill	
E	3	Tube Handle	

PART NUMBER	QUANTITY	DESCRIPTION	PICTURE
F	4	Legs	
G	1x	Fire Screen Assembly M6	
H	6x	Tube Arm Assembly M6x16	
I	8x	Legs Assembly M8x20	
J	3x	Grill Mount Bracket	

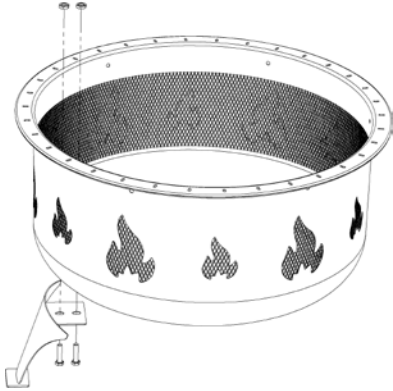


# OAKRIDGE

WOOD FIRE PIT by OUTLAND LIVING

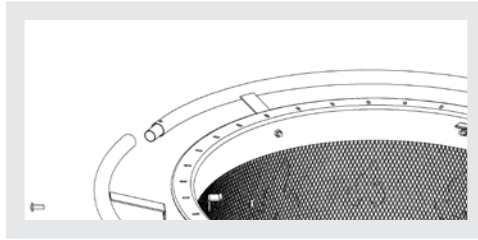
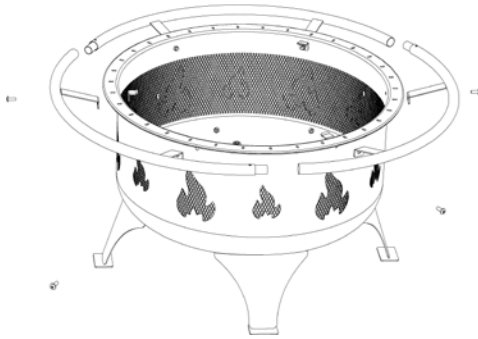
### 1. BASE ASSEMBLY:

Install Legs using supplied hardware (Reference Part Number I). Snug hardware finger tight. Once the Legs sit square and flat on the ground, firmly tighten the hardware using the required tools (not supplied).



### 2. BASE-RING ASSEMBLY:

Install Tube-Handles to Base using supplied hardware (Reference Part Number H and J). Install the Grill Mount Brackets on alternating fasteners so they are evenly spaced around the pit bowl.



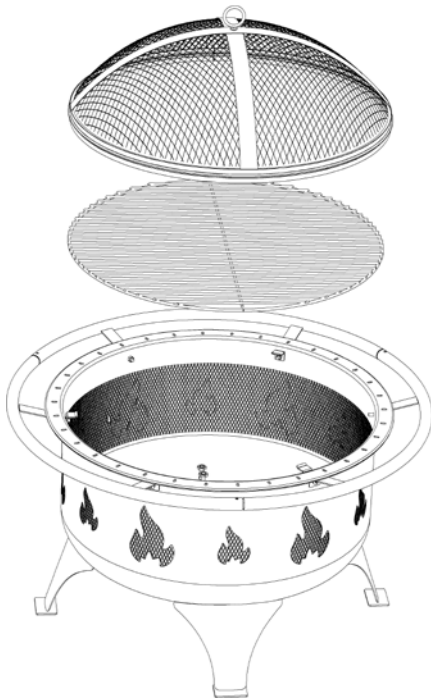
### 3. FIRE SCREEN ASSEMBLY

Install supplied hardware to Fire Screen (Reference Part Number G)



### 4. GRILL & COVER ASSEMBLY

- Place BBQ Grill on the Grill Mount Brackets;
- Place Fire Screen on Fire Pit using Fire Tool (supplied).



5. Your OUTLAND Wood Fire Pit is assembled and ready for use.



## **WARNING FOR YOUR SAFETY:**

Prior to using this fire pit ensure you have read and understood all of the **WARNINGS** outlined on Page 1 of this manual. Failure to follow all of the **WARNINGS** and **INSTRUCTIONS** can cause property damage, personal injury or death.

### **OPERATING INSTRUCTIONS:**

#### **LIGHTING:**

1. Lay out a layer of kindling in the fire pit. Kindling is made of items that can light and burn quickly, such as twigs, newspaper or wood chips. Make a small pile of kindling in the middle. This is where you will light the fire.
2. Stack firewood loosely in a teepee formation on top of the kindling to optimize airflow. Use a few large pieces of firewood as well as smaller sticks for the fire to feed off of.
3. Use a long match or a BBQ lighter to ignite the kindling.
4. Use a poker to stir the embers as the fire burns down. This ignites any unburned wood. As long as you maintain hot red embers in the fire pit you can maintain the fire and the heat by adding more firewood.
5. Place the fire screen in position using the fire tool provided.

#### **TENDING THE FIRE:**

Logs will need to be added and/or re-positioned to keep the fire burning.

1. Remove the fire screen using the fire tool provided. Ensure to place the fire screen on a non-combustible

#### **NOTE**

- Wear protective, fire proof gloves when tending the fire.
- Ensure no loose clothing is exposed to the flames.
- Ensure the presence of glowing coals prior to adding additional wood.
- Do NOT use any accelerants such as gasoline, alcohol, lighter fluid etc.

and heat resistant surface.

2. Using the fire tool, arrange the coals in the pit to accept additional logs and create additional airflow. Do NOT over fill the fire pit with wood. Log size should never exceed the dimension of the fire pit.
3. Replace the fire screen using the fire tool provided.

#### **EXTINGUISHING THE FIRE:**

- Allow the fire to burn itself out naturally. Do NOT leave a burning fire unattended.
- It is NOT recommended to use water to extinguish the fire. This can be dangerous due to the steam created and the possibility of sweeping hot embers out over the edges of the fire pit. The rapid cooling can also cause damage to the fire pit surface.
- Do NOT touch the ashes to determine if they have cooled sufficiently. Hold your hand just above and feel for radiant heat.

### **CLEANING AND CARE:**

#### **INSPECTION:**

Your fire pit should be inspected regularly to ensure proper operation and to extend the product life. An inspection should only be performed when you have ensured the fire is completely extinguished and all components have completely cooled off.

- Inspect fire screen for any damage which could cause burning embers to escape. Also ensure the handle is properly secured.
- Check that all fasteners are present and secure.
- Inspect the fire pit for obvious signs of damage and/or rust.
- If any parts are found to be damaged do NOT operate the fire pit until repairs have been completed.



- Some rusting is anticipated to occur during the life of this product as normal wear and weathering. If rust damage has occurred which could cause burning embers to escape or which compromises the structural integrity of the fire pit - do NOT operate the fire pit - the product is at end of life - dispose of or recycle the fire pit according to your local regulations.

**CLEANING:**

Your fire pit should be cleaned regularly to ensure proper operation and to extend the product life. Cleaning should only be performed when you have ensured the fire is completely extinguished and all components have completely cooled off.

- It is normal for slight discolorations to exist after multiple uses of your fire pit.
- The surfaces can be cleaned with a mild dish washing soap.
- For more aggressive stains a citrus based cleanser or BBQ cleaning solution can be used.
- Use clean, warm water for rinsing.
- Do NOT use abrasive cleaners or you will risk damaging the fire pit.

**STORAGE:**

Your fire pit should be stored properly to extend the product life. Storage should only be attempted when you have ensured the fire is completely extinguished and all components have completely cooled off.

- Ensure the fire pit is free from ashes and debris.
- Ensure the fire pit is cool and dry.
- For optimum results keep original product packaging and reuse for storage.
- It is recommended that the fire pit is stored in a dry, well protected space.

## **WARRANTY: 1 YEAR LIMITED WARRANTY**

### **– Customers in Canada and USA**

All components are warranted for a period of 1 year after date of purchase by the original owner against defects in materials and workmanship under normal use. This warranty does NOT cover normal wear and weathering, assembly and/or maintenance OR use in a commercial application. At FMI Brands' sole discretion, products under warranty will be repaired and/or replaced at no charge to the customer. Any returns sent back to FMI Brands must be sent via prepaid freight and in the original retail packaging.

For warranty service contact FMI Brands at the address, phone numbers or internet site and email listed in this owner's manual. Be sure to have your sales receipt, date of purchase and catalogue/model numbers available when calling. All warranty service will be coordinated by the FMI Brands' Surrey, British Columbia, Canada service center.

This warranty is extended only to the original purchaser. Proof of purchase will be required before warranty service is rendered. The sales receipt is the only valid proof of purchase. This warranty only covers failures due to defects in materials or workmanship which occur during normal use. Failures and/or damage which result from accident, negligence, misuse, abuse, neglect, mishandling, alteration or modification, failure to maintain, improper assembly or maintenance, service by unauthorized agency or use of unauthorized components or damage that is attributable to acts of God are NOT covered.

**\*\*\*THERE ARE NO EXPRESS WARRANTIES EXCEPT AS LISTED ABOVE\*\*\***

**\*\*\*PURCHASER ASSUMES ALL RISKS IN THE ASSEMBLY AND OPERATION OF THIS UNIT\*\*\***

**\*\*\*FAILURE TO FOLLOW WARNINGS AND OPERATIONAL INSTRUCTIONS CONTAINED IN THIS MANUAL CAN RESULT IN SEVERE PROPERTY DAMAGE AND/OR PERSONAL INJURY\*\*\***

**IN NO EVENT WILL FMI BRANDS, OR ITS DIRECTORS, OFFICERS OR AGENTS BE LIABLE TO THE PURCHASER OR ANY THIRD PARTY, WHETHER IN CONTRACT, IN TORT, OR ON ANY OTHER BASIS, FOR ANY INDIRECT, SPECIAL, PUNITIVE, EXEMPLARY, CONSEQUENTIAL, OR INCIDENTAL LOSS, COST, OR DAMAGE ARISING OUT OF OR IN CONNECTION WITH THE SALE, MAINTENANCE, USE, OR INABILITY TO USE THE PRODUCT, EVEN IF FMI BRANDS OR ITS DIRECTORS, OFFICERS OR AGENTS HAVE BEEN ADVISED OF THE POSSIBILITY OF SUCH LOSSES, COSTS OR DAMAGES, OR IF SUCH LOSSES, COSTS, OR DAMAGES ARE FORESEEABLE. IN NO EVENT WILL FMI BRANDS, OR ITS OFFICERS, DIRECTORS, OR AGENTS BE LIABLE FOR ANY DIRECT LOSSES, COSTS OR DAMAGES THAT EXCEED THE PURCHASE PRICE OF THE PRODUCT.**

**SOME JURISDICTIONS DO NOT ALLOW THE EXCLUSION OR LIMITATION OF INCIDENTAL OR CONSEQUENTIAL DAMAGES, SO THE ABOVE LIMITATION OR EXCLUSION MAY NOT APPLY TO THE PURCHASER.**

This limited warranty gives you specific legal rights and you may also have other rights which vary from jurisdiction to jurisdiction. The provisions of the United Nations Convention on Contracts for the Sales of Goods shall not apply to this limited warranty or the sale of products covered by this limited warranty.

### **\*\*\*IMPORTANT NOTICE\*\*\***

In the event of a defect please do **NOT** return to place of purchase.

Contact our customer service department:

**Toll Free:1-888-514-1663 Email: [sales@fmibrands.com](mailto:sales@fmibrands.com)**

**Hours: Mon – Fri, 8am – 4pm, PST**